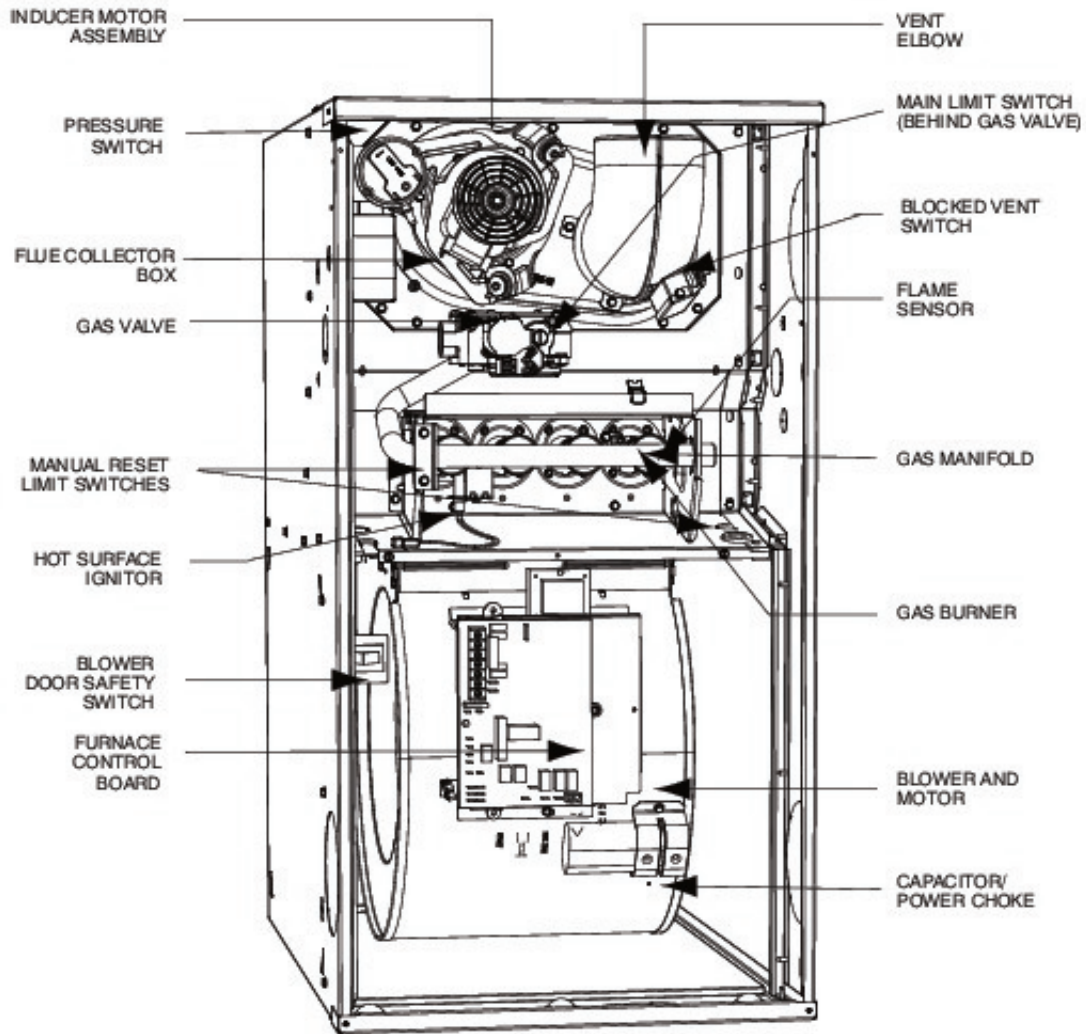

Download



[Carrier 58way Service Manual](#)

FURNACE COMPONENTS



58PHA

NOTE: The 58PHA/PHX Furnaces are factory shipped for use with natural gas. These furnaces can be field-converted for propane gas with a factory-authorized and listed accessory conversion kit.

A10014

Download



Gas or oil furnace Remove the front door and look inside the unit You should see the model number printed on rating-plate or decal.

1. [carrier service manuals](#)
2. [carrier service manual air conditioner](#)
3. [toshiba carrier service manual](#)

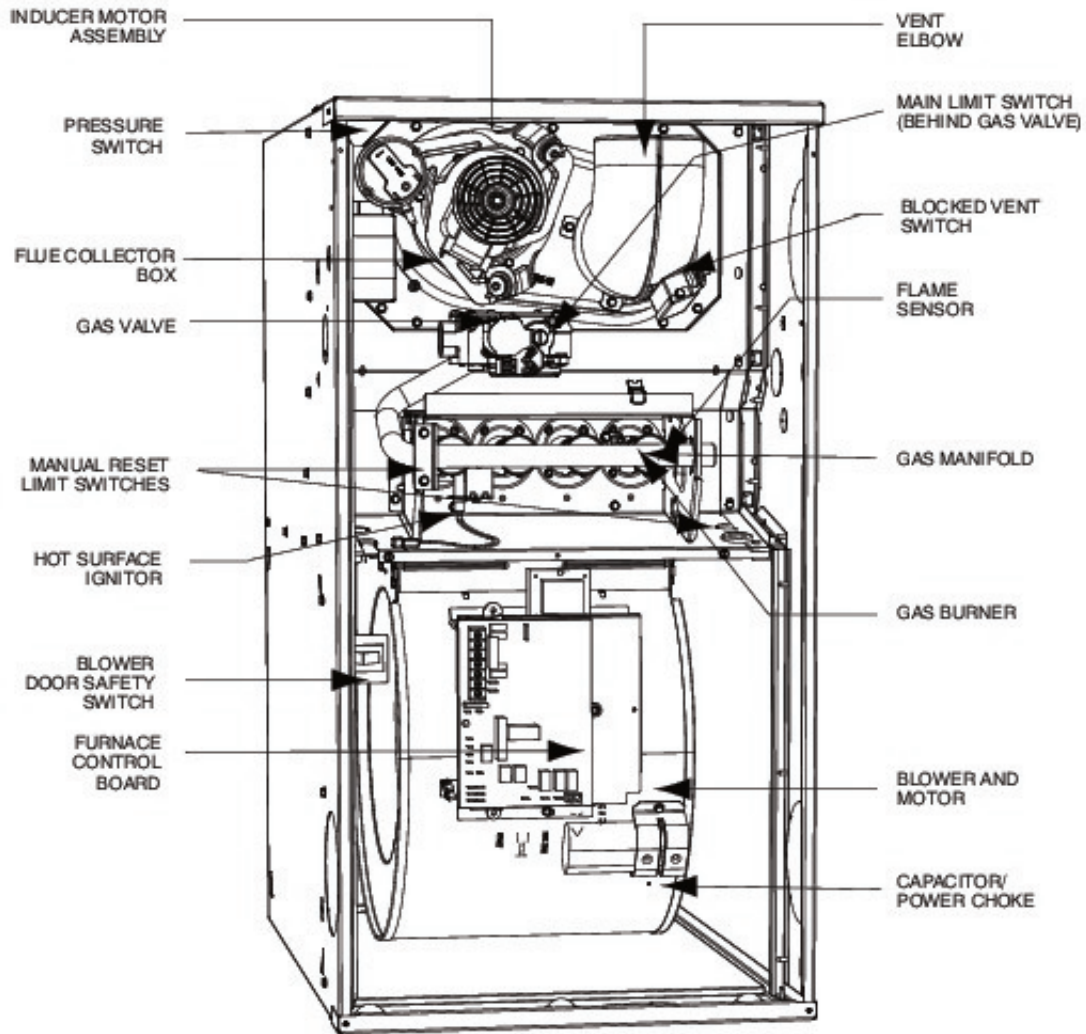
Carrier weathermaker 8000 manual model 58wav -carrier weathermaker 8000 manual model 58wav at gren-ebook-shop..
Carrier Weathermaker 8000 Blower Air purifiers Carrier 58wav070

carrier service manuals

carrier service manuals, carrier service manual pdf, carrier service manual air conditioner, crane carrier service manual, toshiba carrier service manual, 50a carrier service manual, carrier 30rb service manual pdf, carrier 48tc service manual, carrier infinity 96 furnace service manual, carrier x4 7500 service manual pdf, carrier fe4anf002 service manual, carrier 30xw service manual, carrier 50tc service manual, carrier 48hc service manual, carrier fv4c service manual [Counter Strike For Mac Free Download Full Version](#)

The Carrier WeatherMaker 8000 utilizes a hot surface, silicon carbide ignition system to save energy.. Carrier Weathermaker 8000 58sxc Manual Tricia - Carrier 58WAV 9PD Gas Furnace Owners Manual PDF Service. [Best Antivirus For Mac 2018 Fee](#)

FURNACE COMPONENTS



NOTE: The 58PFA/PEX Furnaces are factory shipped for use with natural gas. These furnaces can be field-converted for propane gas with a factory-authorized and listed accessory conversion kit.

A10014

[download free What Is The Latest Version Of Microsoft Excel](#)

carrier service manual air conditioner

[Machin Learning Super Resolution Download Free Dmg](#)

If you don't happen to have them handy, you'll also find the model number printed right on the unit.. Also for: Weathermaker 8000, 58zav050, 58zav070, 58zav096, 58zav115, 58zav135 Carrier ® comfort is about more than heating or cooling your home.. org - Download Carrier 58WAV Service And Maintenance Instruction 8 pages Related Manuals for Carrier 58WAV Furnace Carrier WeatherMaker 8000 Installation, Start-Up, And Operating Instructions Manual. [Download free Paper Cutting Books Free](#)

toshiba carrier service manual

[Tuxguitar Mac Download](#)

Snoop dogg ft jamie foxx i wanna rock free mp3 download Virtual dj 6 0 full Rather than have you commit them all to memory, we made our model numbers easy to find.. How to Find Your Model NumberIf you need service, or you need to troubleshoot an issue regarding your HVAC system, it always helps to know the model number.. It's knowing we stand behind our products – and right by you – with industry-leading warranties, expert service and dedicated support during each heat wave and cold snap and everything in between.. We move ahead Carrier 58wav Service Manual DjVu, PDF, ePub, txt, dr We wishing be consciousness-gratified if you go in advance in advance creaseless afresh.. Briggs and stratton 1 repair manual, singer serger manual Air conditioners, heat pumps including geothermal and packaged productsLook on the back of your unit, and you'll find the model number listed on a silver series rating-plate located above the service valve connections.. Carrier Weathermaker 8000 BlowerCarrier 58wav070View and Download Carrier 58ZAV Series product data online.. Weathermaker 8000 deluxe Mid-Efficiency Downflow/Horizontal Gas furnace 58ZAV Series furnace pdf manual download.. Start by looking in your owner's manual or any other paperwork that came with your product.. Monster hunter portable 3rd cwheat db download If your heat pump is geothermal, the model information should be easily found on the front of the unit. 773a7aa168 [Adobe Flash Player 11.3 Free Download For Mac](#)

773a7aa168

[Firefox Downloadhelper Converter Serial](#)